

Flo-Tags™

Water Circuit Identification Inserts



Brand new to the injection moulding market, Flo-Tags patented design will revolutionise how you label FLOW and RETURN water cooling circuits on your injection moulding tool.

Characteristics

- Improved visibility
- Patented design
- With a plastic lining inside the counterbore Flo-Tags prevent unsightly rust build ups around the connector nipple

patented
design

7
sizes

made from
recycled
material



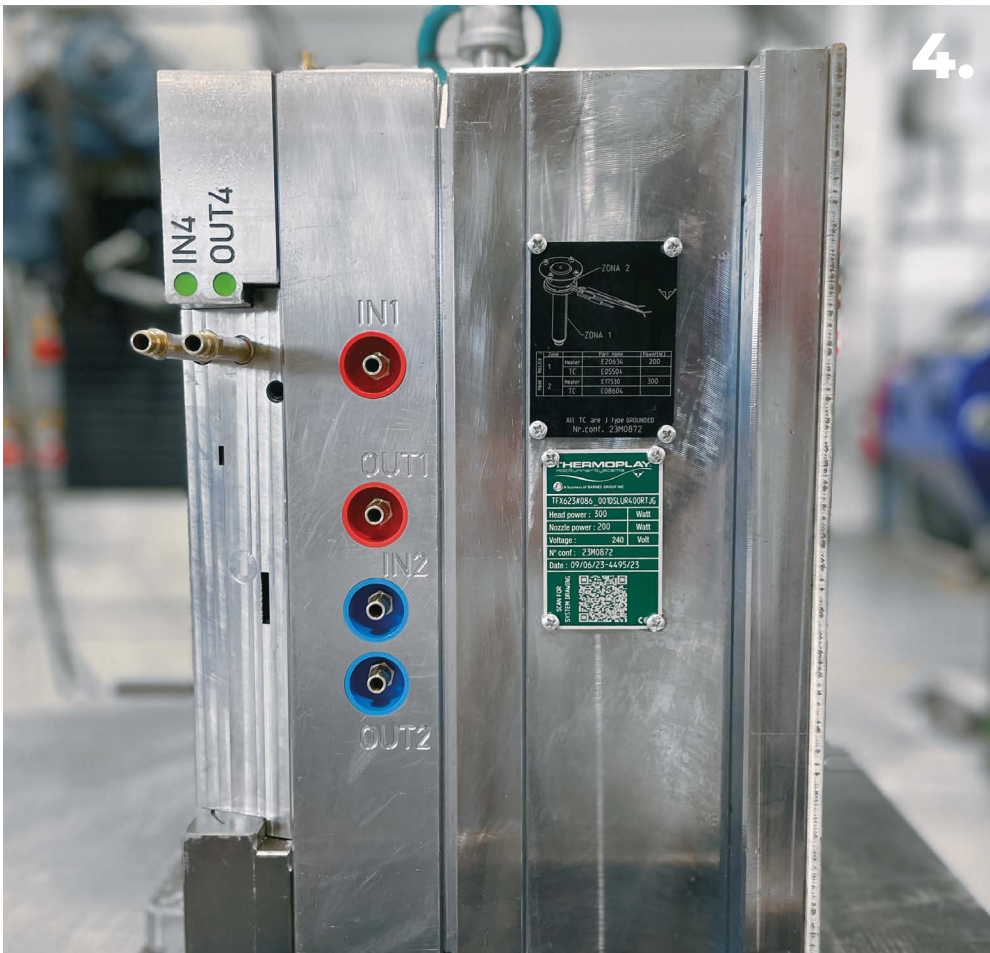
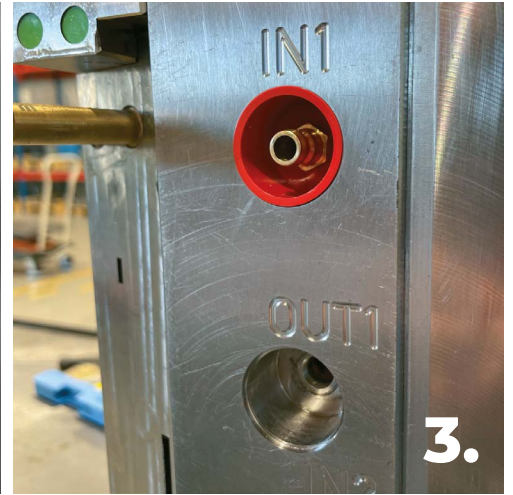
BEFORE



AFTER

- Compatible with International Series (DME) and European Series (Hasco) Water Connectors (see table)
- Coloured tags help to easily identify IN / OUT and eliminate piping errors; reduce set up times; and improve quality
- Made from recycled material (POM)

Installation Process



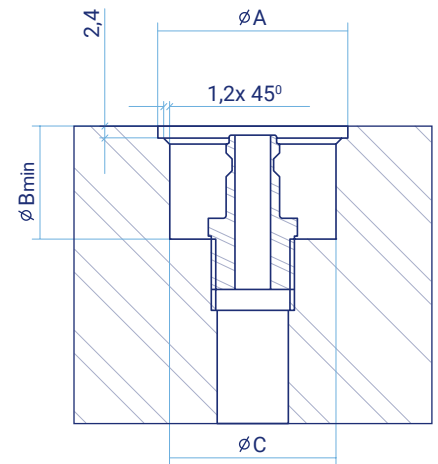
Flo-Tags are available in red and blue as standard. However, other colours are available on request. Flo-Tags can also be used to identify pneumatic air lines etc. Please contact us today to discuss your application.



Flo-Tags Size Specification

Available in **seven sizes**, they are compatible with all International & European couplings and can even be retrofitted to your current tool.

Part Number	Dia C	Dia A	Depth B	Inside Dia	Hole Dia	Thread	Coupling
CNP20	20	24	Min. 18	18	/	/	/
CNP22	22	26		20	10.1	1/8	N6
CNP24	24	28		22	10.1	1/8	N6
CNP26	26	30		24	14.1	1/4	N6
CNP28	28	32		26	14.1	1/4	N9
CNP30	30	34		28	14.1	1/4	N9
CNP32	32	36		30	14.1	1/4	N9



Be sure to add the correct size counterbores to your moulds at the design stage if you intend to use Flo-Tags CAD files are available on request for all sizes.

Should you require a size (depth) that is not available then Flo-Tags can be modified by knocking out the bottom of the Flo-Tag via the radial slots. This is easily and quickly achieved with safety knife or punch tool.



Manufactured by **RaMaX**.
Distributed exclusively by **Mouldshop UK**.



Contact Us

If you would like to find out more information about our range of Flo-Tags or to obtain a quotation, contact our dedicated Sales Team.

t: 08454700701 sales@mouldshop.com mouldshop.com

