

LET IT FLOW

quicker, cooler, faster...



flosense® 3.0

DIGITAL FLOW REGULATOR

DIGITAL FLOW REGULATOR

Complete unit with Pressure sensor installed on main inlet.

Retrofit your existing flow regulators with FloSense today.

At last you can see real flow measurements at a glance, and use the alarm limits (and output) on flow and temperature to control the process stability and part quality.



TOUCH SCREEN

Upgrade your moulding machine with new digital flow regulator and improve your productivity.

Replacing traditional analogue manual flow regulators with new digital flow regulator will give you many advantages such as:

- Digital monitoring of Flow, Temperature and Pressure
- Alarm Output
- Higher flow capacity
- Higher temperature range
- Data storage and export
- Faster Mould changeovers
- OPC-UA / Euromap interface /

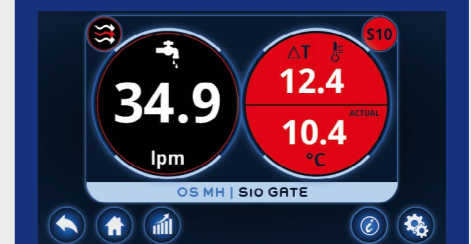
Touch Screen mounted on the manifold. Equipped with power, alarm, USB and Ethernet connections.



The main screen will show all circuits with information about flow and temperature. The main inlet and outlet will also show including pressure.



Data is stored in the internal memory and can be displayed in graphical view for each circuit. Data can also be exported for external use.



By clicking on a specific circuit you will see detailed information, including delta T (heat transfer) of the specific channel. Also, turbulent flow indicator is included.

DATE / TIME	USER	EVENT TYPE	SENSOR	STATUS
12/07/2019 15:27:05	NGR	Change to High / Low Temperature Alarm Settings	F5 MH	S7
09/07/2019 09:11:40	CRS	Change to High / Low Temperature Alarm Settings	OS MH	K12
09/07/2019 09:34:28	PKR	Change to High / Low Temperature Alarm Settings	MH OS	OUTLET
09/07/2019 09:14:20	PKR	Change to High / Low Temperature Alarm Settings	OS MH	S10
09/07/2019 09:22:11	NGR	Change to High / Low Temperature Alarm Settings	F5 MH	S8
04/07/2019 11:47:49	PKR	Change to High / Low Temperature Alarm Settings	MH OS	MH F1
02/07/2019 14:11:57	CRS	Change to High / Low Temperature Alarm Settings	OS MH	S1



The system is equipped with Audit Log to keep track of all events including user ID tracer.

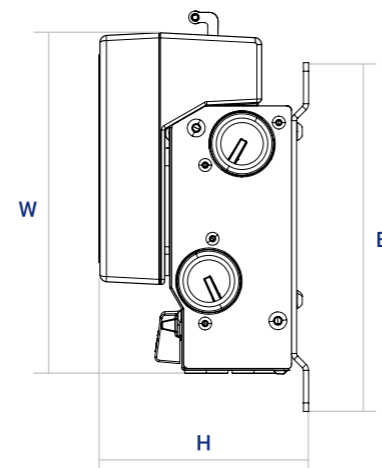
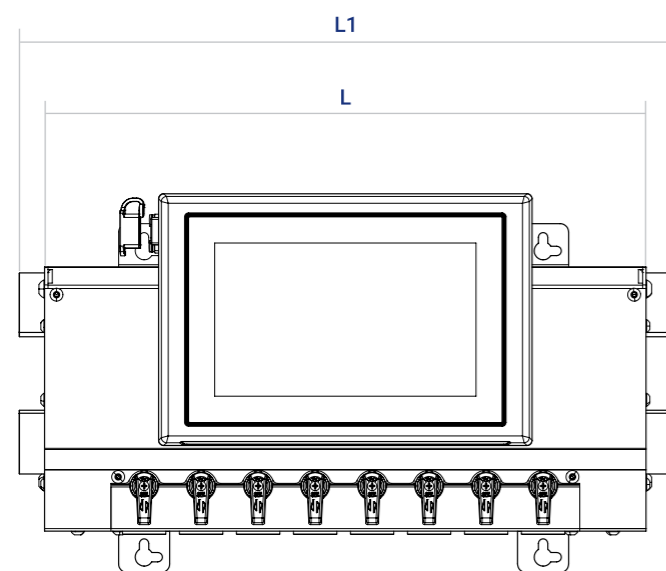
Size	Manifold inputs	Power Connection	Alarm Output	Interface
7,1"	1	12V	Yes	OPC-UA

CONSTRUCTION

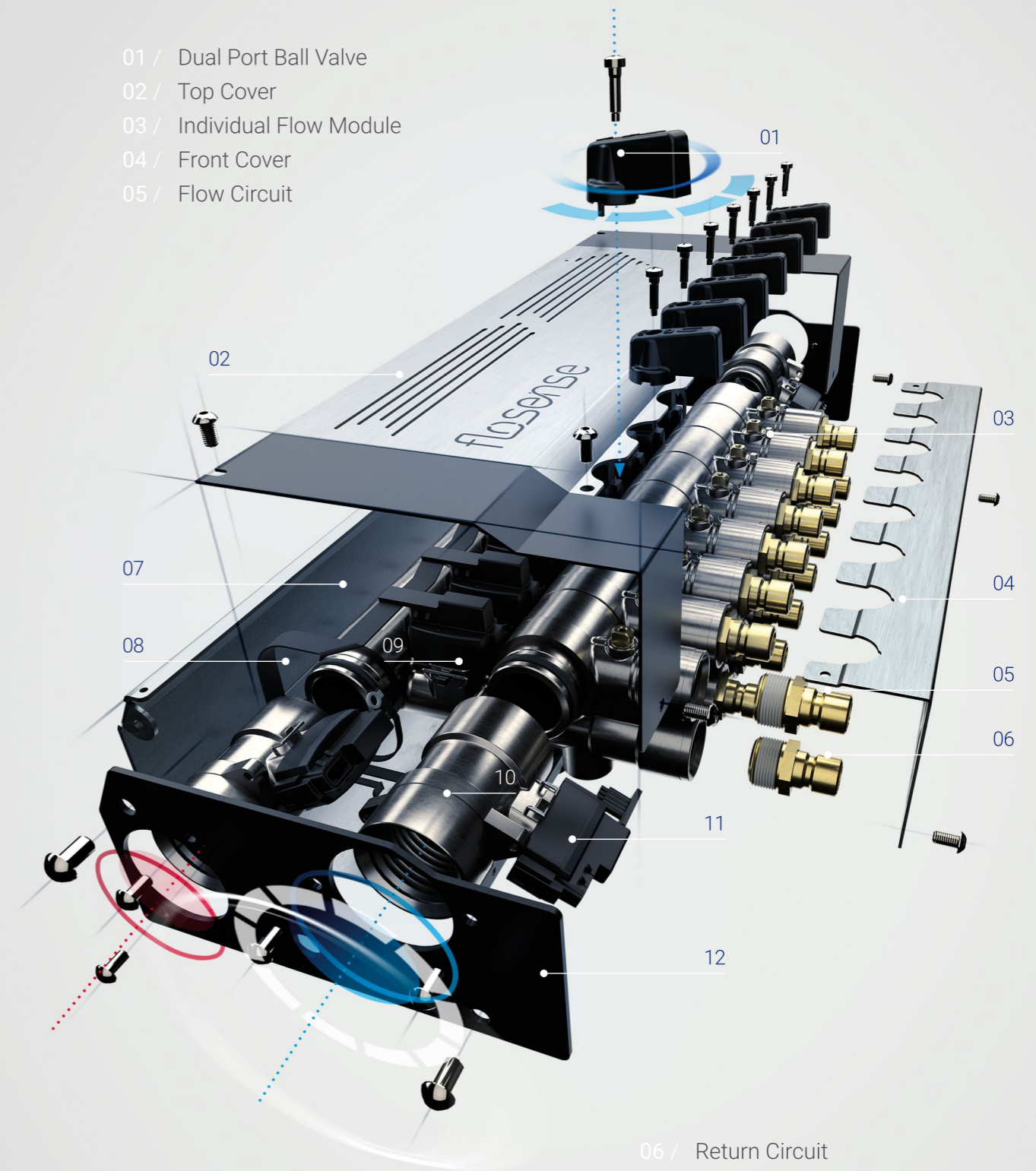
Material:

Flow modules: DZR Brass / nickel plated /
Cover: stainless steel

PART NO.	Ports	Length / mm /	Length 1 / mm /	Width / mm /	Height / mm /	B / mm /		
FFRM4-1-20	4	220	250	200	123	205	1-20 l/m	120°C
FFRM4-2-40	4	220	250	200	123	205	2-40 l/m	120°C
FFRM6-1-20	6	287	317	200	123	205	1-20 l/m	120°C
FFRM6-2-40	6	287	317	200	123	205	2-40 l/m	120°C
FFRM8-1-20	8	354	384	200	123	205	1-20 l/m	120°C
FFRM8-2-40	8	354	384	200	123	205	2-40 l/m	120°C
FFRM10-1-20	10	421	451	200	123	205	1-20 l/m	120°C
FFRM10-2-40	10	421	451	200	123	205	2-40 l/m	120°C
FFRM12-1-20	12	488	518	200	123	205	1-20 l/m	120°C
FFRM12-2-40	12	488	518	200	123	205	2-40 l/m	120°C



- 01 / Dual Port Ball Valve
- 02 / Top Cover
- 03 / Individual Flow Module
- 04 / Front Cover
- 05 / Flow Circuit



- 06 / Return Circuit
- 07 / Base Frame
- 08 / Cable
- 09 / Flow / Temperature Sensor
- 10 / End Module
- 11 / Pressure / Temperature Sensor
- 12 / End Plate

ACCESSORIES

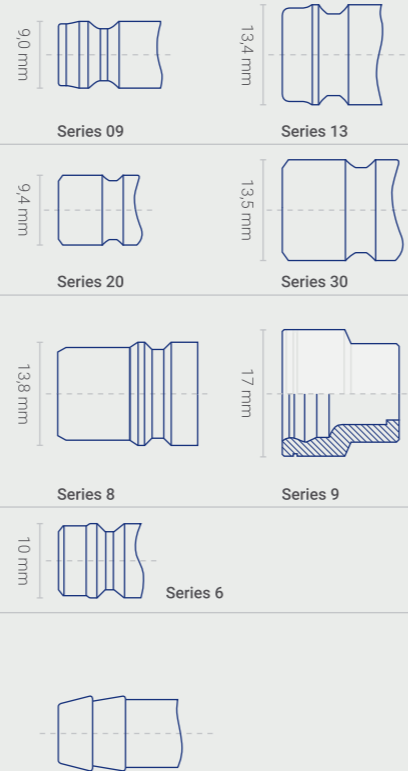
Blanking Plug

PART NO.	Connection	Seal
SSEC1	1" BSPP	FKM



Port Connector Plugs

PART NO.	Connection	Size/Series
09NRF	R 1/2"	09 EURO Style
13NRF	R 1/2"	13 EURO Style
20NRF	R 1/2"	20 Int. Style
30NRF	R 1/2"	30 Int. Style
08NRF	R 1/2"	French Type Style
F9NRF	R 1/2"	French Matic Style
06NRF	R 1/2"	06 Scandinavian Style
10MF	R 1/2"	10 mm Hosetail
13MF	R 1/2"	13 mm Hosetail
25MF	R 1"	25 mm Hosetail
38MF	R 1"	38 mm Hosetail



SPECIFICATION

FLOW	Standard Sensor
Measuring range	1-20 l/min (0,27-5,2 gpm) 2-40 l/min (0,53-10,4 gpm)
Accuracy	(± 1 σ) in water, ± 1 % FS
TEMPERATURE	
Measuring range	0-120 °C (32-248 °F)
Accuracy	15-90 °C (59-194 °F) ± 0.5 K 0-120 °C (32-248 °F) ± 1 K
PRESSURE	
Measuring range	0-10 bar (0-145 psig)
Accuracy	± 2.5 % FS
MATERIALS	
Modules	Nickel Plated DZR Brass (Corrosion resistant)
Main Feed	R1"
Circuits	R1/2"
Cover	Stainless Steel
DISPLAY	
Type	Touch
Size	7,1"
Voltage	12-24 Volt.
Data	USB + Ethernet
Communications	OPC UA
Internal memory	Up to 30 days data (FIFO)





Distributor

MOULDPRO APS

Baltorpbakken 10
DK-2750 Ballerup, Denmark
Phone: **+45 7020 3131**

www.mouldpro.com